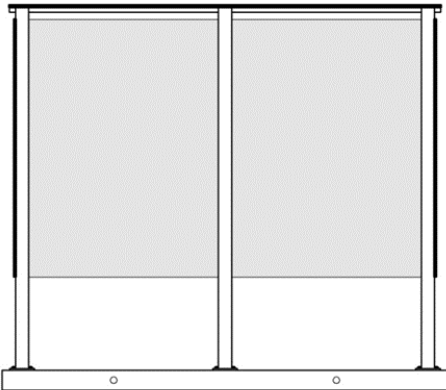
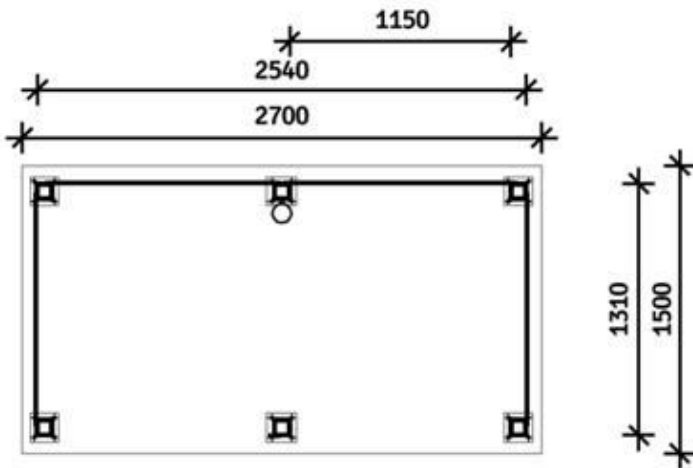


SMOKING SHELTER TYPE 2

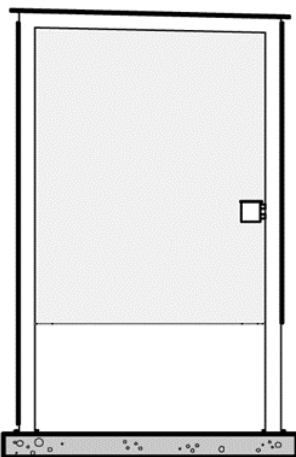
FRONT



PLAN



SIDE



DIMENSIONS

Capacity 6 persons

INTERIOR

2188x2540x1310 (HxWxD)

ENTRANCE

1150

SPECIFICATIONS SURFACE

1. Depth cunette from top of sand 100mm
2. Dimensions 2800x1700 (WxD)
3. Min 300mm free space around shelter

Materials

FRAME

Aluminium epoxy coated
RAL 7016

GLAZING

8 mm safety glass

ROOF

10 mm semi-transparent
laminated safety glass

FOUNDATION

On reinforced concrete slab
Optional on existing pavement

INCLUDES

1 ashtray round model
Seating is optional



RBce Outdoor NL

T. +31 (0) 252 576000
F. +31 (0) 252 576009

info@buitenroken.nl
www.buitenroken.nl

Bijlmermeerstraat 1
2131 AL Hoofddorp

RBce Outdoor DE

T. +49 (0) 211 238 555 192

info@dieraucherkabine.de
www.dieraucherkabine.de

Königsallee 27
D-40212 Düsseldorf

RBce Outdoor FR

T. +33 (0) 1 5695 1984
F. +33 (0) 1 5695 1616

info@abrifumeurs.fr
www.abrifumeurs.fr

37-39- Avenue Ledru Rollin
CS 11237, Paris Cedex 12
F-75570 Paris

RBce Outdoor UK

T. +44 (0) 115 894 4371

info@thesmokingshelter.co.uk
www.thesmokingshelter.co.uk

Spaces, 1650 Waterside drive,
Arlington business park, Theale,
Reading, RG7 4SA

RBce Outdoor BE

T. +31 (0) 252 576000
F. +31 (0) 252 576009

info@buitenroken.be
www.buitenroken.be

Bijlmermeerstraat 1
2131 AL Hoofddorp